

Q2C 3-in-1 Current Transformers

FEATURES

- Reversible mounting LHS and RHS
- Internal grounding/earthing facility
- Supplied with connector



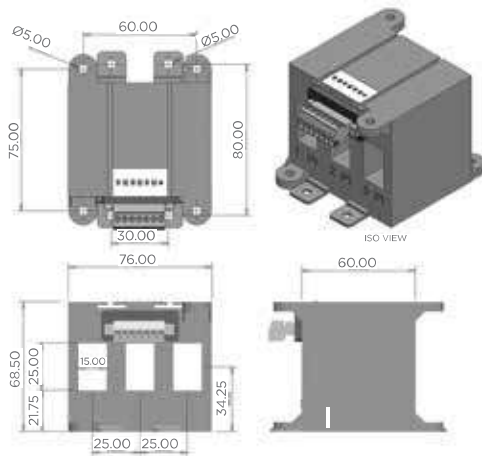
A range of 3-in-1 current transformers for use with or without the Q2C wiring solution. The 3-in-1 current transformers combine three traditional current transformers in one moulded case with a pluggable locking connector for simple and easy installation.

SPECIFICATIONS

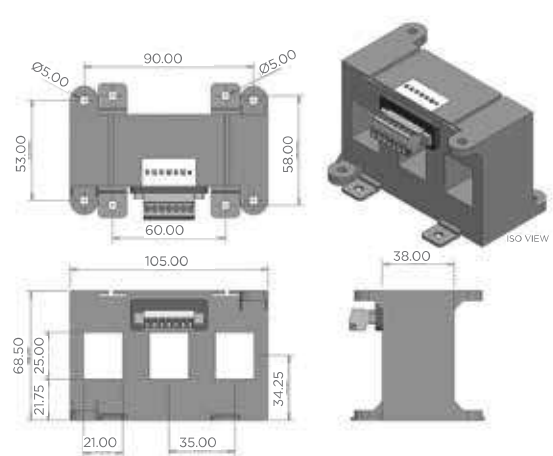
Part number	Ratio	Burden VA against class index			Aperture (mm)
		Class 0.5	Class 1	Class 3	
QC3N1-25-60/5	60/5	-	1	2	3 @ 15x25 mm
QC3N1-25-100/5	100/5	-	1.5	2.5	3 @ 15x25 mm
QC3N1-25-160/5	160/5	1.5	1.5	2.5	3 @ 15x25 mm
QC3N1-35-100/5	100/5	-	1.5	2	3 @ 21x25 mm
QC3N1-35-125/5	125/5	-	1.5	2.5	3 @ 21x25 mm
QC3N1-35-160/5	160/5	1.5	1.5	2.5	3 @ 21x25 mm
QC3N1-35-250/5	250/5	1.5	1.5	2.5	3 @ 21x25 mm
QC3N1-45-250/5	250/5	-	2.5VA	-	3 @ 32x27 mm
QC3N1-45-400/5	400/5	-	2.5VA	-	3 @ 32x27 mm
QC3N1-45-600/5	600/5	2.5VA	5VA	-	3 @ 32x27 mm
QC3N1-70-400/5	400/5	-	2.5VA	-	3 @ 52x40 mm
QC3N1-70-600/5	600/5	2.5VA	5VA	-	3 @ 52x40 mm
QC3N1-70-800/5	800/5	2.5VA	5VA	-	3 @ 52x40 mm

DIMENSIONS

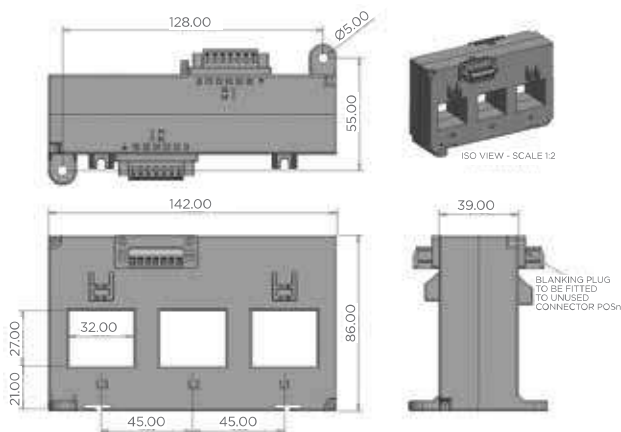
QC3N1-25



QC3N1-35



QC3N1-45



QC3N1-70

