



- Power Factor Protection or Compensation Control
- Linear to Phase Angle

Specifications

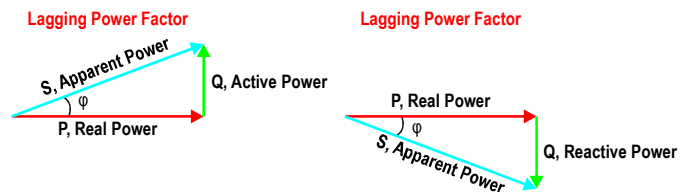
Auxiliary Voltage:	100-120, 200-240, 380-415 or 440-460VAC, 40-70Hz (Fuse 0,5A)
Optional Auxiliary Voltage:	24, 48 or 110VDC (Fuse 2A)
Supply tolerance:	± 10%
Power rating:	1,5VA
Scaling:	0,5 CAP/1/0,5 IND
Temperature:	-20 to +70°C
Weight:	0.64kgs
Front protection:	IP52 (IP65 optional)

Description

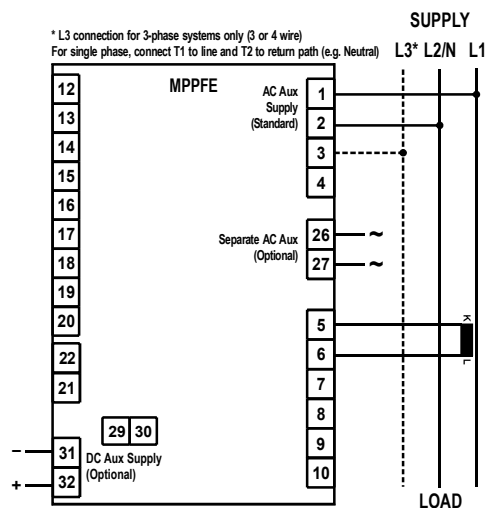
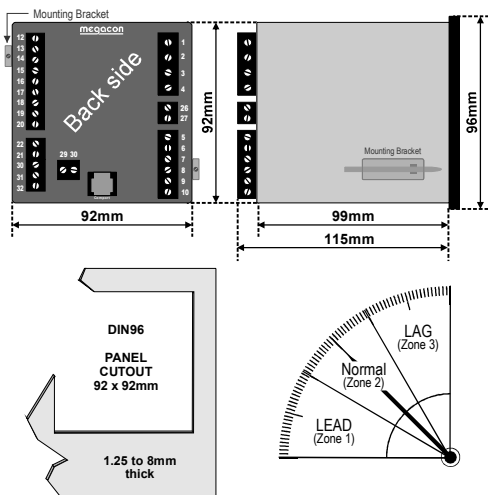
The MPPFE measure the power factor in single phase or balanced 3-phase systems.

The unit gives analogue indication of power factor is proportional to meter deflection 0,5 CAP / 1 / 0,5 IND.

Zone 2 is the normal operational range. In zone 1, the load is capacitive. In zone 3, the load is inductive.



Dimensions



The unit meets EN 61010-1 Cat. III, Pollution degree 2 and the relevant environmental and EMC tests specified in EN 61326-2-4 to comply with the requirements of the major Classification Societies.

The MEGAICON policy is one of continuous improvement, consequently equipment supplied may vary in detail from this publication.

ORDERING EXAMPLE:

Type: MPPFE
 Aux. Supply: 200-240V
 Input: 150/5A



Norway
 Denmark
 United Kingdom

megacon

www.megacon.com

ELECTRONIC CONTROL AND INSTRUMENTATION

REF: Datasheet.MPPFE - REV: 2.00/02.2020

© All rights reserved to Megacon

Megacon reserves the right to make any changes to the information at any time

