

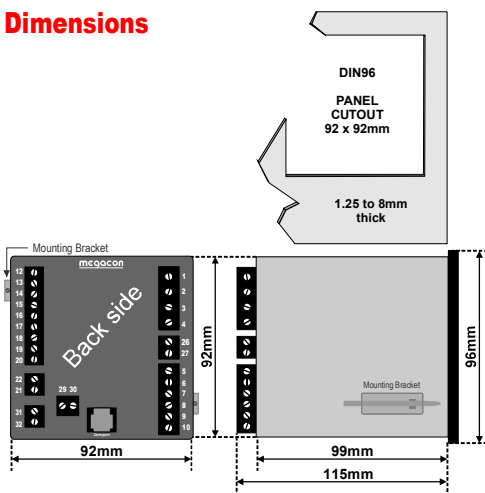


- Under and Over Voltage and Frequency Protection
- Adjustable Voltage and Frequency Deviation Set points
- Optional very fast analogue output (<50mS), (F-versions)

**Specifications**

Auxiliary Voltage:	100-120, 200-240, 380-415 440-460 or 480VAC 40-70Hz (Fuse 0,5A)	
Optional Aux. Voltage:	24, 48 or 110VDC (Fuse 2A)	
Supply tolerance:	± 10%	
Power rating:	1,5VA	
Contact Rating:	AC: 100VA - 250V/2A max. DC: 50W - 100V/1A max.	
<b>Adjustments:</b>	<b>Trip level:</b>	<b>Trip delay:</b>
U/V:	0/-20% of V nom	0,1-30 secs
O/V:	0/+20% of V nom	
U/Hz:	45-65Hz	0,1-30 secs
O/Hz:	45-65Hz	
C-versions (KPFV53C & KPFV53CF)		0,1-3 secs
Hysteresis:	Fixed to 1%	
Analogue Output: (only on F-versions)	Up to 20mA, max 500R Up to 10V, min 100kohm (other on request)	
Scale:	45-55Hz, 55-65Hz or 45-65Hz	
Temperature:	-20 to +70°C	
Weight:	0.64kgs	
Front protection:	IP52 (IP65 optional)	

**Dimensions**



**Description**

KPFV51x is for use on single phase systems. KPFV51x provides precision monitoring of frequency and line voltage on any generator system. When trip delays are set to zero (0,1sec) operation corresponds with G59 requirements.

True RMS measurement not affected by heavily distorted waveforms provides highest up precision (1.0%) protection.

User settable trip levels and delays. Colour of LEDs indicates alarm status. LEDs flash during count-down.

Less than 50mS short circuit detection. R1 (under & over frequency) and R2 (under & over voltage) activates when set level is exceeded and time delay has elapsed. R3 activates when R1 or R2 is activated and can be used as a common alarm.

The F-versions have an fast response mA output signal proportional to the Hz range.

**KPFV51C & KPFV51CF**

	Volt	Hz	Fail safe	Latch
R1		✓		✓
R2	✓		✓	✓
R3	✓	✓		✓

**KPFV51D & KPFV51DF**

	Volt	Hz	Fail safe	Latch
R1		✓		
R2	✓		✓	
R3	✓	✓		

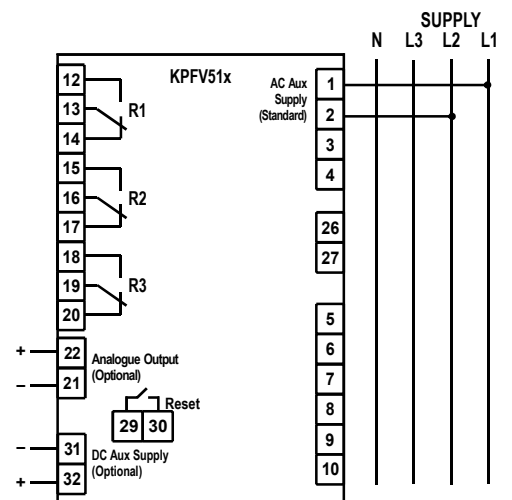
**KPFV51D2 & KPFV51D2F**

	Volt	Hz	Fail safe	Latch
R1		✓		
R2	✓			
R3	✓	✓	✓	

**KPFV51E & KPFV51F (KPFV51E is the standard version)**

	Volt	Hz	Fail safe	Latch
R1		✓		✓
R2	✓		✓	✓
R3	✓	✓	✓	✓

Relays shown de-energised.  
R2 is fail-safe and energises when unit is powered.



**Relay Reset**  
Any latched relay is reset by linking terminals 29 and 30 or by interrupting the voltage input to terminal 1.

The unit meets EN 61010-1 Cat. III, Pollution degree 2 and the relevant environmental and EMC tests specified in EN 61326-2-4 to comply with the requirements of the major Classification Societies.

The MEGAICON policy is one of continuous improvement, consequently equipment supplied may vary in detail from this publication.

**ORDERING EXAMPLE:**

Type	: KPFV51F
Aux. Supply	: 200-240V
V nom	: 230V
Hz range	: 45-65Hz
Analogue output	: 4-20mA

