



CROMPTON INSTRUMENTS 3-IN-1 CURRENT TRANSFORMERS

A range of 3-in-1 current transformers combine three traditional current transformers in one moulded case. 3-in-1 current transformers can be directly installed next to a three-phase moulded case circuit breaker, thus saving installation time where fitting three standard individual current transformers would be required. The M3N1 range of current transformers offers primary currents between 60-630A with 5A secondaries with up to class 0.5 accuracy performance.

Specifications

System voltage	720V maximum
Test voltage	3kV for 1 minute
System frequency	50Hz or 60Hz
Primary ratings	60A to 630A
Short circuit thermal current	60 x rated primary current (Ith): for 1 sec
Overload withstand	1.2 x rated current continuously
Rated dynamic current	= 2.55 x Iht
Secondary terminals	M4 screw terminals
Enclosure	Flame retardant grade classified UL 94V-O
Aperture holes centres	25, 35, 45mm
Operating temperature	-20°C to +85°C
Accuracy	Class 0.5, 1, 3
Mounting hardware	Plug-in metal feet for wall or base mounting Busbar and DIN-rail mounting
Compliant with	IEC/EN 60044-1

Features

- Cost effective moulded case
- Ratio's ranging from 60/5 to 630/5
- Integrated wire sealable terminal cover
- Busbar, DIN-rail and metal feet mounting hardware supplied
- Combined M4 posi/slot screw

Benefits

- Isolated output for safety
- Faster installation
- Compact size
- Ex-stock delivery

Accessories

- Isolated output for safety
- Faster installation
- Compact size
- Ex-stock delivery

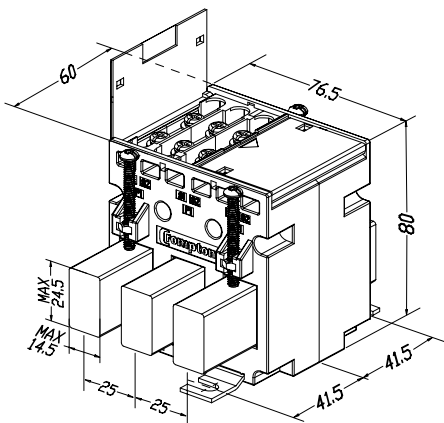
Product Codes

Part number	Ratio	Burden VA against class Index			Aperture (mm)
		Class 0.5	Class 1	Class 3	
M3N1-25-60/5	60/5	-	1	2	3 @ 15 x 25mm
M3N1-25-100/5	100/5	-	1.5	2.5	3 @ 15 x 25mm
M3N1-25-125/5	125/5	-	1.5	2.5	3 @ 15 x 25mm
M3N1-25-150/5	150/5	1.5	1.5	2.5	3 @ 15 x 25mm
M3N1-25-160/5	160/5	1.5	1.5	2.5	3 @ 15 x 25mm
M3N1-35-100/5	100/5	-	1.5	2	3 @ 21 x 25mm
M3N1-35-125/5	125/5	-	1.5	2.5	3 @ 21 x 25mm
M3N1-35-150/5	150/5	-	1.5	2.5	3 @ 21 x 25mm
M3N1-35-160/5	160/5	1.5	1.5	2.5	3 @ 21 x 25mm
M3N1-35-200/5	200/5	1.5	1.5	2.5	3 @ 21 x 25mm
M3N1-35-250/5	250/5	1.5	1.5	2.5	3 @ 21 x 25mm
M3N1-45-250/5	250/5	1.5	1.5	2.5	3 @ 31 x 31mm
M3N1-45-300/5	300/5	2.5	2.5	3.75	3 @ 31 x 31mm
M3N1-45-400/5	400/5	2.5	2.5	3.75	3 @ 31 x 31mm
M3N1-45-500/5	500/5	2.5	2.5	3.75	3 @ 31 x 31mm
M3N1-45-600/5	600/5	2.5	2.5	3.75	3 @ 31 x 31mm
M3N1-45-630/5	630/5	2.5	2.5	3.75	3 @ 31 x 31mm

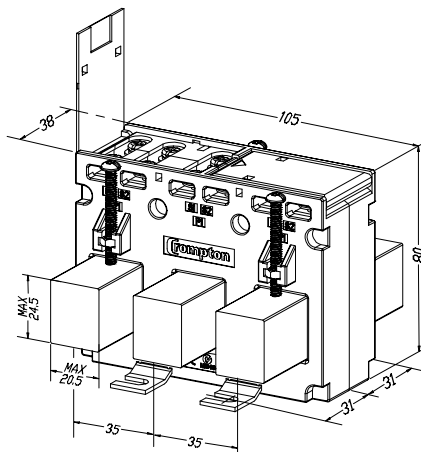


Dimensions

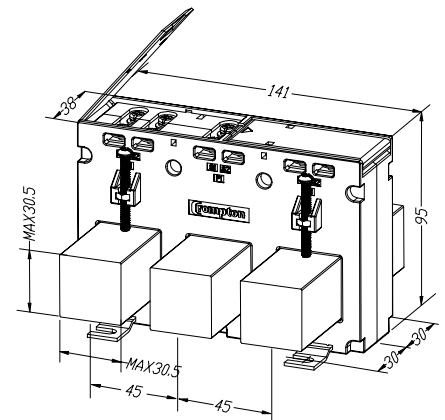
M3N1-25



M3N1-35



M3N1-45



FOR MORE INFORMATION:

TE Technical Support Centres

UK: +44 1376 509 401
 USA: +1 800 327 6996
 Australia: +61 1300 656 090
 Singapore: +65 6590 5151
 Hong Kong: +852 2790 9609

te.com/energy

© 2020 TE Connectivity Ltd. family of companies. All Rights Reserved. EPP-2044-01/20

TE Connectivity, the TE connectivity (logo) and Crompton Instruments are trademarks of the TE Connectivity Ltd. family of companies. Other logos, product and Company names mentioned herein may be trademarks of their respective owners. While TE has made every reasonable effort to ensure the accuracy of the information in this brochure, TE does not guarantee that it is error-free, nor does TE make any other representation, warranty or guarantee that the information is accurate, correct, reliable or current. TE reserves the right to make any adjustments to the information contained herein at any time without notice. TE expressly disclaims all implied warranties regarding the information contained herein, including, but not limited to, any implied warranties of merchantability or fitness for a particular purpose. The dimensions in this brochure are for reference purposes only and are subject to change without notice. Specifications are subject to change without notice. Consult TE for the latest dimensions and design specifications.