



- Designed for non-grounded networks with Frequency Converters
- Direct connection up to 690V system voltage, up to 1,4kV with HV Adapter
- Monitoring during both live and standby conditions
- For use in land, marine and offshore installations
- Paralleling Disable Function
- Immune to earth capacitance and voltage surges
- Analogue output proportional to meter reading
- Optional Mohm slave indicator

Specifications

KCM163FQ

Scale range: 0-10MΩ - ∞ (<60MΩ)
 Network line voltage: Direct 0-690V (40-500Hz)
 Up to 1,4kV with HV adapter

General

Auxiliary Supply: 100-120, 200-240, 380-415 or 440-460VAC, 40-70Hz (Fuse 0.5A)

Optional Voltage: 12-24, 48 or 110VDC (Fuse 2A)

Contact rating: AC: 100VA - 250V/2A max.

DC: 50W - 100V/1A max.

Analogue Output: Up to 20mA, max 500R

F-versions: Up to 10V, min 100kohm
 (other on request)

Temperature: -20 to +70°C

Weight: 0.6kgs

Front protection: IP21

INTELLIGENT SETTING ASSISTANCE

KCM163FQ has a built-in Assistance tool for setting/verification of the trip levels and the analogue output.

When either the **Warning** or **Alarm** potmeter on the front is operated by user, the slave meter goes into **Assistance Mode** and meter reading and analogue output will reflect the potmeter setting.

How to set alarm levels:

Firstly adjust potmeter fully clockwise (see that slave meter goes to the top), then adjust potmeter down to required **Warning** or **Alarm** setpoint.



Without any movement of potmeters, the meter will revert to normal Insulation Monitoring Mode after approximately 10 seconds.

How to test analogue output signal:

Adjust any trip level potmeter to activate Assistance Mode.
Example: On a 4-20mA output, adjust potmeter fully anti clockwise for 4mA and fully clockwise for 20mA.

The KCM163FQ range is designed to comply with specification AODC035 "Code of Practice for the Safe Use of Electricity Under Water" issued by IMCA.

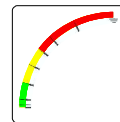
The unit meets IEC60092-504 and the relevant environmental and EMC tests specified in IEC60068/60092 and IEC61000/60533 respectively, to comply with the requirements of the major Classification Societies.

Application

The digitally controlled KCM163FQ is designed to monitor the insulation level between a non-grounded (IT) AC mains and its protective earth in systems with frequency converters. The unit is for land, marine and offshore use.

An AC or DC auxiliary voltage is required for the unit, if powered from a separate source the network can also be monitored during inactive (standby) conditions. Only **ONE** KCM163FQ can be connected to each IT-system. The ohmmeter and the triple-zone status LEDs give at a glance the clear safety message:

- **ALARM** (red zone)
- **WARNING** (yellow zone)
- **HEALTHY** (green zone)



General

IDV MEASURING PRINCIPLE

Insulation is measured between the complete galvanically interconnected AC network and its protective earth.

The unit injects a DC measuring signal into the monitored system. The signal flows to ground via the path of the insulation fault, the level of flow indicates the insulation resistance. The measuring accuracy is not influenced by any normal kind of load attached to the AC network.

This unit is used for any land, marine or offshore installations. Start of monitoring function is delayed when auxiliary power is switched on (default 10 secs delay). The unit has minimum of 9 seconds detection time for any insulation fault.

Trip levels and delays are settable on unit rear. A trip LED flashes when the trip level is passed, the relay trips when the delay has elapsed. The timer resets if the fault is removed during countdown.

MEGGER SAFE

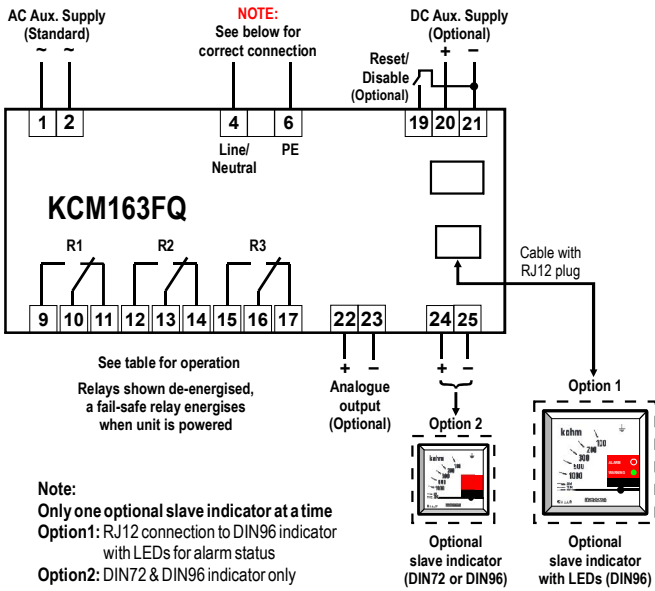
When auxiliary power is **OFF** the unit input is automatically protected against "megger" test voltages up to 1.4kVDC, and incorrect measurements caused by the unit's input impedance are avoided.

OUTPUTS

The KCM163FQ has an isolated **analogue output** proportional to meter reading. If output is used for remote meter reading, we recommend 0-1mA for the slave indicator.

SAFETY

When a voltage adapter (CHx) is used the signal to terminals 4 and 6 on KCM163FQ is limited to a safe level, avoiding any dangerous voltage exposure to personnel.



Analogue Output

KCM163FQ have an analogue output proportional to meter reading. (Special outputs are available on request)

Add suffix from table below to type designation to specify output required:

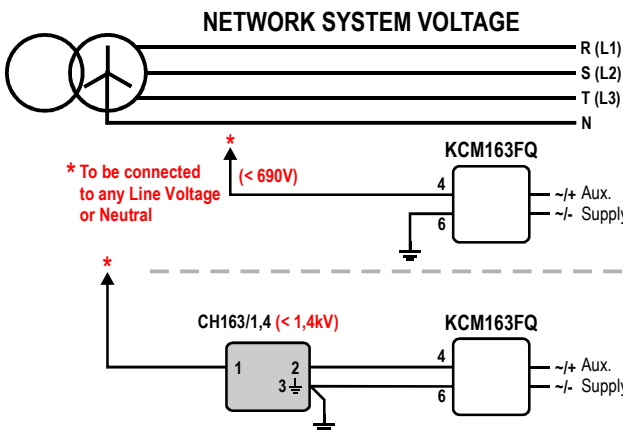
O/P1	0 - 10mA	O/P6	N/A
O/P2	0 - 20mA	O/P7	N/A
O/P3	4 - 20mA	O/P8	0 - 10VDC
O/P4	N/A	O/P9	N/A
O/P5	N/A	O/P10	N/A

Reset / Paralleling Disable Function

KCM163FQ has a built-in disable function (available only when DC Aux. Supply is applied). When connecting two or more IT-networks together **only one unit** can be active, the other(s) must be disabled. When unit is disabled the power led will flash every 2 seconds to indicate that unit is inactive.

Use a potential free contact on terminal 19 and 21 to activate the disable function (after 2 secs). When activated the measuring input terminal 4 will be internally disconnected.

A pulse (60mS-2 Sec) on terminal 19,21 will only reset any latching alarm.



Relay Operation

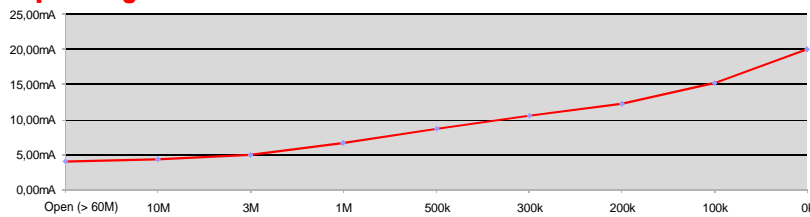
	Warning	Alarm	Fail Safe	Latch
R1	✓			
R2		✓	✓	*/✓
R3		✓		*/✓

Model	Latch	Output	Adjustments	Trip level	Delay
KCM163FQ	-	X	WARNING:	0-10MΩ	0-30secs
KCM163FQG*	X	X	ALARM:	0-10MΩ	0,1-3secs

Coloured sectors show recommended areas of settings:

- Red - Indicates alarm trip zone
- Yellow - Indicates warning trip zone
- Green - Indicates healthy zone

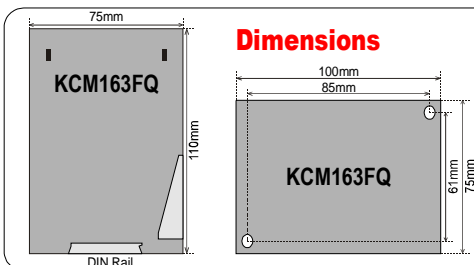
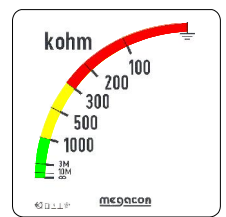
Output diagram



Output table (example for 4-20mA)

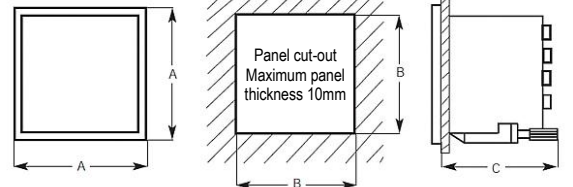
Value (scale)	mA output
0kΩ	20.00mA
100kΩ	15.18mA
200kΩ	12.30mA
300kΩ	10.59mA
500kΩ	8.67mA
1MΩ	6.69mA
3MΩ	4.98mA
10MΩ	4.28mA
Open (60MΩ)	4.00mA

Range (slave indicator)



Dimensions for Slave instrument

	DIN 72	DIN96
A	72 x 72mm	96 X 96mm
B	68 x 68mm	92 x 92mm
C	64mm	64mm



The MEGACON policy is one of continuous improvement, consequently equipment supplied may vary in detail from this publication.

ORDERING EXAMPLE:

Type: KCM163FQ
 Aux. Supply: 200-240VAC
 Network Voltage: 690VAC
 Analogue O/P: (O/P3) 4-20mA
 Range: 0 - 10Mohm

